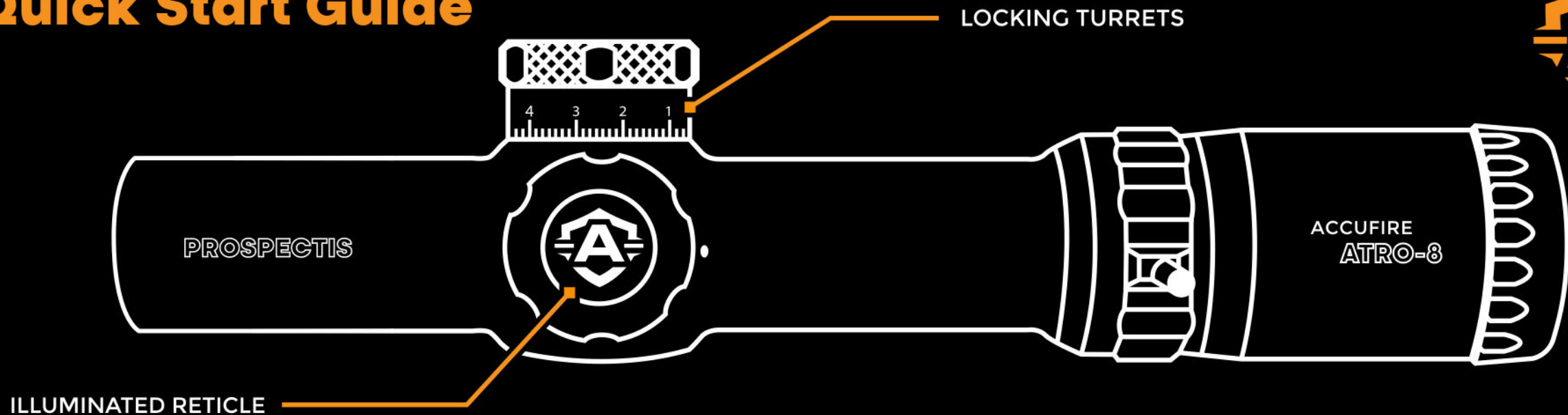


# Quick Start Guide



ILLUMINATED RETICLE

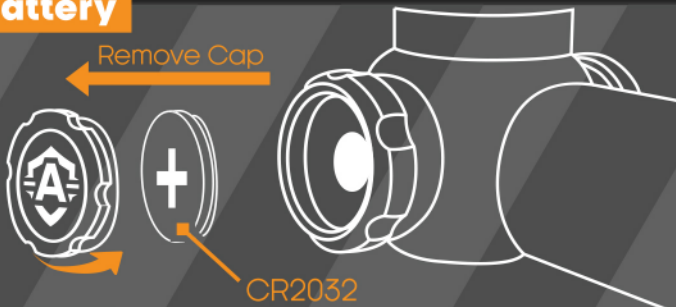
LOCKING TURRETS



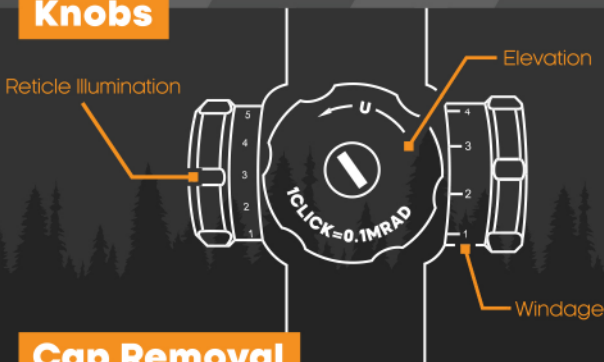
# ATRO-8

## Quick Start Guide

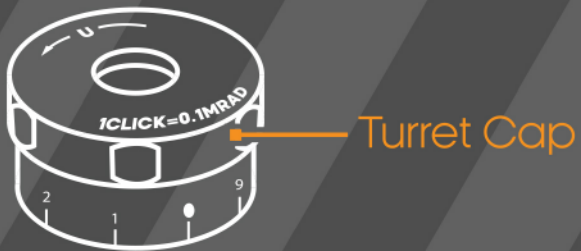
### Battery



### Knobs



### Cap Removal



### Retical

